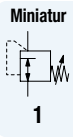
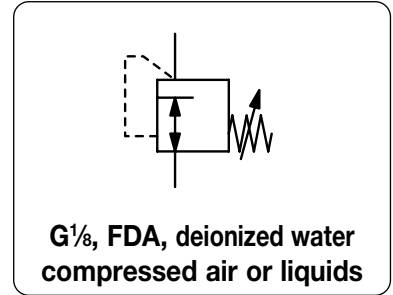


MINIATURE PRESSURE REGULATOR WITH FDA APPROVAL

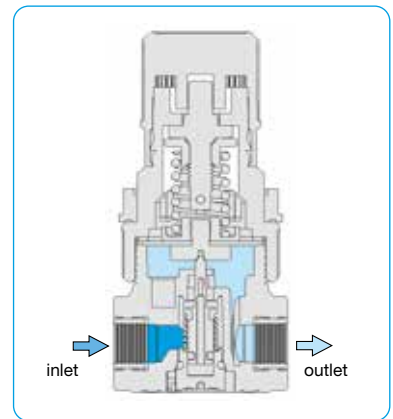
R037

Description	Diaphragm miniature pressure regulator made of plastic and of small and lightweight design. All parts coming into contact with the medium are approved by the FDA.
Application area	food industry and water circulation, e.g. for dialysis devices
Media	compressed air, non-corrosive gases, deionized water or other liquids
Supply pressure	max. 16 bar
Adjustment	by plastic knob with snap-lock
Relieving function	non-relieving
Gauge port	not available
Mounting position	any
Temperature range	0 °C to 50 °C / 32 °F to 122 °F
Material	Body: POM technopolymer with thread insert of SST 316, approved by FDA and WRAS Elastomer: EPDM with thread insert of SST 316, approved by FDA and KTW Valve and O-ring: Hytrel and EPDM, FDA-approved Grease: Klüber, UH184-201



Dimensions			Flow rate		Connection	Pressure	Order
A	B	C	water	air	thread	range	number
mm	mm	mm	l/min*1	l/min	G	bar	

Pressure regulator w. FDA approval								supply pressure max. 16 bar, non-relieving EPDM, with inlet pressure compensation	R037
41	86	11	5	350	G ¹ / ₈	0,1 ... 1	R037-010K		
						0,1 ... 2	R037-01AK		
						0,2 ... 4	R037-01BK		
						0,3 ... 8	R037-01CK		
						0,4 ... 12	R037-01DK		
41	86	11	5	380	G ¹ / ₄	0,1 ... 1	R037-020K		
						0,1 ... 2	R037-02AK		
						0,2 ... 4	R037-02BK		
						0,3 ... 8	R037-02CK		
						0,4 ... 12	R037-02DK		

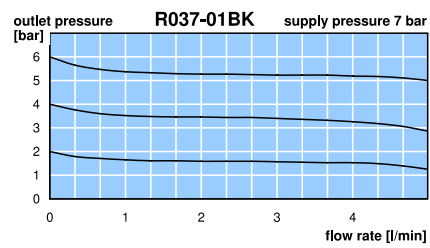
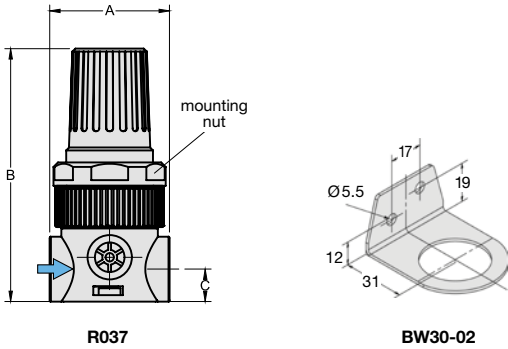


Special options, add the appropriate letter or number

for oxygen	pecially cleaned, with oxygen grease	R037-0...K15
------------	--------------------------------------	--------------

Accessories, enclosed

mounting bracket	made of steel	BW30-02
mounting nut	made of plastic	M30x1,5K
	made of aluminium	M30x1,5A



*1 supply pressure 1 bar above outlet pressure

* Product group